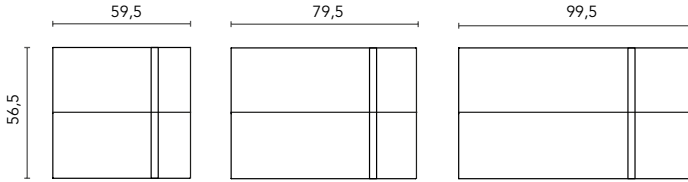


FURNITURE AND AUXILIARIES

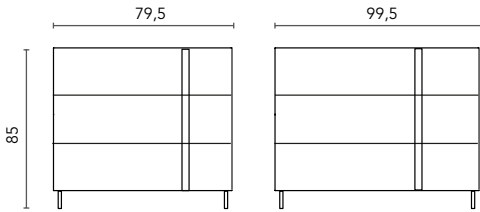
FURNITURE

Unit with drain protection and drawer organizer. Depth 45.

2 Drawers Unit.



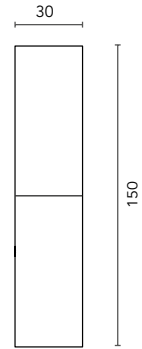
3 Drawers Unit. Includes 4 legs.



* Measures in cm.

COLUMN

Interior layout: 1 fixed wooden shelf, 2 adjustable wooden shelves. Doors with push open system. Depth 24.



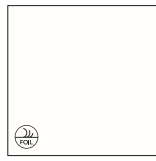
FINISHES



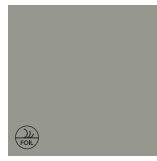
BL19: Nature White



RO6: Nature Beige



BL20M: Matt White

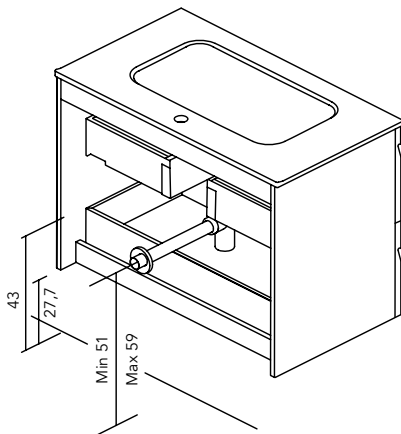


MA15M: Matt Sand

SIDES	FRONTS	DRAWERS		HANDLE	EXTERIOR SIDES FINISH	FRONT FINISH	BREADTH OF RANGE		
		Full extraction Hettich	Drawer organiser				Depth 46 cm	With legs	Suspended
AGL. 16 mm	MDF 16 mm			Integrated front handle	Wrapping foil 3D	Wrapping foil 3D			

SIPHON PLACEMENT

Tube depth 7cm.
2 Drawers.



Tube depth 7cm.
3 Drawers.

